

Full HD Compact Digital Presenter

SDP-760

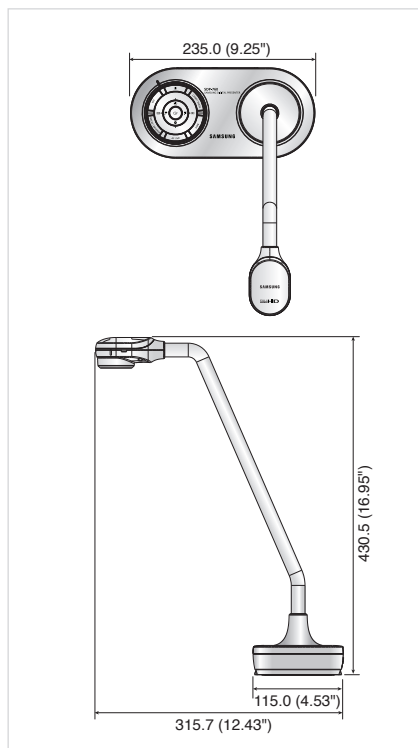


Specifications

		SDP-760
OPTICAL SYSTEM		
Lens	F=2.0, f=5.0mm	
Shooting Area	Max : 364 x 257mm (14.3" x 10.1")	
Zoom	16x zoom (Digital 16x)	
Focus	Auto / Manual	
Iris	Auto (with fine level adjustment)	
VIDEO		
Pick-up Device	1/2.8" Progressive scan CMOS image sensor	
Total Number of Pixels	2,144(H) x 1,588(V), 3.40M pixels	
Number of Effective Pixels	2,096(H) x 1,561(V), 3.27M pixels	
Frame rate	Max. 30fps (2M)	
VGA Output	Native Signal Output	Full HD (1,920 x 1,080)
	Converted Signal Output	UXGA (1,600 x 1,200), SXGA (1,280 x 1,024), WXGA (1,280 x 800) HD (1,280 x 720), XGA (1,024 x 768)
NTSC / PAL Video Output	Available (NTSC / PAL)	
Resolution	750TV lines	
LIGHT		
Upper	LED illumination system	
FUNCTIONS		
White Balance	ATW / AWB (One-push) / Manual	
Aperture Function	Image mode / Text mode / Custom mode	
Noise Reduction	Available (Low light presenter with 2D/3D NR)	
Mask Function	Available	
Image Freeze	Available	
Image Rotation	Available (180°)	
USB I/F	USB 2.0 support (UVC for Web camera, Twain driver)	
INTERFACE		
Output Port	VGA OUT	15pin DSUB connector x 1
	C-VIDEO Out	RCA connector x 1
I/F Port	RS-232C	Ø3.5 Jack x 1
	USB	USB type B connector x 1 (USB device port)
Power Port	Power Input	5V DC In x 1
ETC		
Kensington Lock Hole	Built-in (Kensington lock hole supplied)	
Security Thread on Base	Built-in	
Microscope Mode	Available [Microscope adapter supplied (Option)]	
GENERAL		
Operating Temperature	+5°C ~ +35°C (+41°F ~ +95°F)	
Operating Humidity	less than 90% RH	
Power	5V DC (Adaptor input : 100V ~ 240V AC free voltage, 50/60Hz, output : 5V DC, 2.2A)	
Dimensions (WxHxD)	In-use : 235.0 x 430.5 x 115.0 (9.25" x 16.95" x 4.35")	
	Off-use : 235.0 x 115.0 x 290.0 (9.25" x 4.35" x 11.42")	
Weight	2.3Kg (5.07 lb)	
Accessories	Supplied Accessories	USB cable, VGA cable, DC adapter, CD (Software, Manual), Diffusion sheet
	Optional Accessories	Microscope adapter, RS-232C cable

Dimensions

Unit : mm (inch)



The Eco mark represents Samsung Techwin's will to create environment-friendly products, and indicates that the product satisfies the EU RoHS Directive.

Design and specifications are subject to change without notice.



SAMSUNG TECHWIN CO., LTD.

701, Sampyeong-dong, Bundang-gu, Seongnam-si, Gyeonggi-do Korea 463-400
Tel : +82-70-7147-8748 Fax : +82-31-8018-3745

SAMSUNG TECHWIN AMERICA, INC.

17011 Beach Blvd., Suite 550, Huntington Beach, CA 92647-5946 UNITED STATES
Toll Free : +1-877-213-1222 Fax : +1-310-632-2195

SAMSUNG TECHWIN AMERICA, INC.

100 Challenger Rd., Suite 700, Ridgefield Park, NJ 07660 UNITED STATES
Toll Free : +1-877-213-1222 Fax : +1-201-373-0124

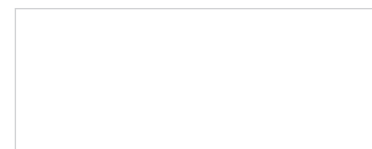
SAMSUNG TECHWIN EUROPE LTD.

Samsung House, 1000 Hillwood Drive, Hillwood Business Park Chertsey, Surrey, UNITED KINGDOM KT16 0PS
Tel : +44-1932-45-5300 Fax : +44-1932-45-5325

TIANJIN SAMSUNG TECHWIN OPTO-ELECTRONICS CO., LTD.

No.11 Wei 6 Street, Micro-Electronic Industrial Park Jingang Road, Tianjin, P.R. CHINA 300385
Tel : +86-22-23887788 Fax : +86-22-23887788

■ DISTRIBUTED BY



I.E-1207