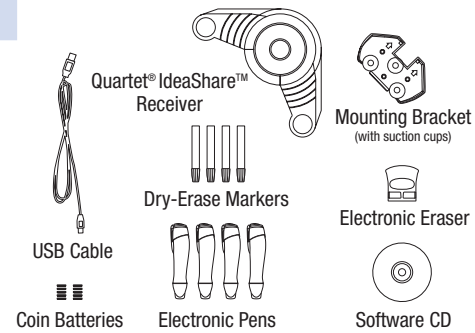


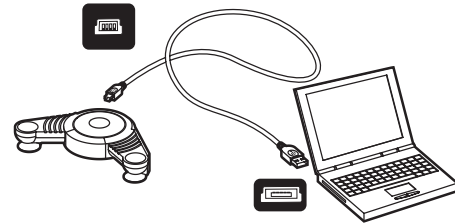
Quartet Portable IdeaShare™ Quick Set Up Guide

1 Unpack the following components



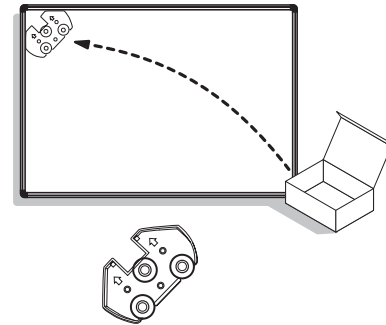
- Put aside all other parts. You will not need them for the whiteboard installation described in this guide.
- For flipchart and projection use, please refer to the User Manual.

2 Connect the USB cable



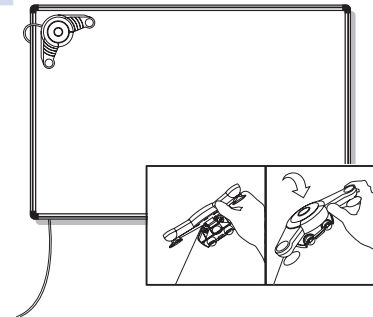
- The USB cable connects your computer to the Quartet IdeaShare receiver.
- The smaller USB connector (type mini-b) attaches to the receiver.
- The larger connector (type A) attaches to your computer.
- When the USB cable is connected properly, the circle indicator in the middle of the receiver will glow green.

3 Attach the mounting bracket to the whiteboard



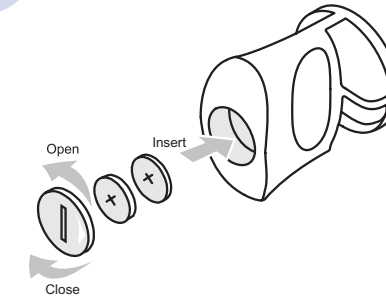
- Determine whether you would like to mount the Quartet IdeaShare receiver in the upper left or upper right corner of the whiteboard.
- Notice the arrows on the back of the mounting bracket (with suction cups).
- Firmly press the bracket onto the whiteboard, suction cup side down, with the arrows pointing towards the corner.

4 Mount the receiver onto the bracket



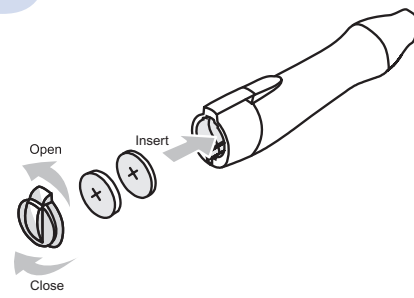
- Notice the small hooks on the back of the Quartet IdeaShare receiver.
- These hooks fit into slots located at the top of the mounting bracket.
- Fit the receiver hooks into the mounting bracket slots, and then press the receiver down until you either hear a click or feel the receiver snap into place on the bracket.

5 Install batteries in the electronic eraser



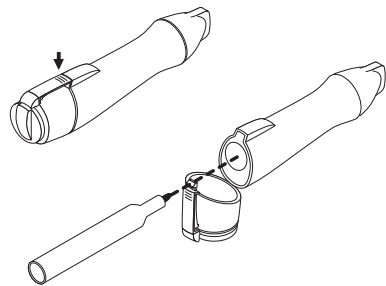
- Remove the battery cover from the electronic eraser by twisting a coin counterclockwise in the slot.
- Drop in two batteries (included), plus (+) side up.
- Replace the cover.

6 Install batteries in the electronic pens



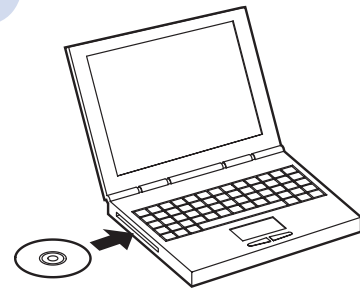
- Remove the end cap from each electronic pen by turning it in the direction of the arrow.
- Insert batteries (included), with the plus (+) side up.
- Replace the end cap.

7 Insert the markers



- Open each electronic pen by pressing the latch located at the top of the pen.
- Insert the dry-erase marker into the corresponding color-coded electronic pen.
- Close the electronic pen.

8 Install the software



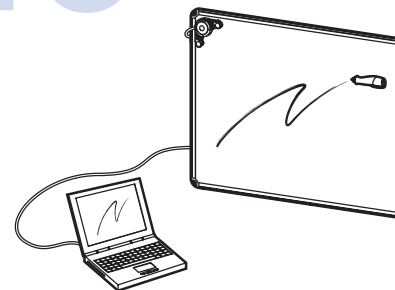
- Insert the software CD into the CD-ROM drive on your computer.
- The software should start up automatically. If the installer does not start up automatically, browse to your CD-ROM drive and select the setup program. Follow all on-screen directions.
- Once the software has been installed, launch the software by double-clicking the Quartet IdeaShare icon on your computer's desktop.

9 Complete the Quartet IdeaShare registration



- After installing the software, you will be connected to the GBC product registration page, if you are connected to the Internet.
- If you are not connected to the Internet or choose to register later, simply go to www.GBCOffice.com and click on the Register/Support tab at that time.
- Please fill out all the necessary information to activate your product warranty.

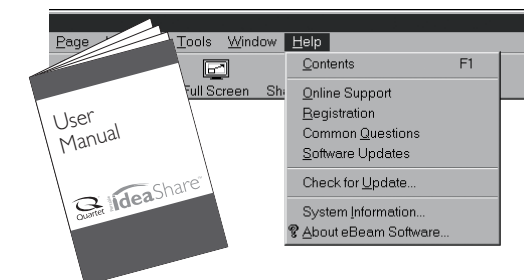
10 Calibrate and test your Quartet IdeaShare installation



- When asked, follow the on screen instructions to calibrate your Quartet IdeaShare hardware.
- Once calibration is complete, the eBeam™ software should run, giving you a clean page.
- Make a mark on the whiteboard with an electronic pen. The mark on the whiteboard should appear on the screen.
- Test each electronic pen.
- Use the electronic eraser to erase one of the marks. It should erase from the screen.

Note: the slight buzzing sound indicates that the electronic pens and eraser are working.

11 If help is needed



- Refer to the troubleshooting section in the User Manual or the Help files in the eBeam software.
- GBC Customer Service is also available at 800-541-0094.

12 Learn how to use Quartet IdeaShare



- The User Manual and Software Reference Guide contain more information about Quartet IdeaShare features and applications.
- Learn how to save time and money using Quartet IdeaShare to capture notes and diagrams, collaborate with others, enhance presentations, and much, much more!