

## Product Safety Guide

Including Installation Instructions

# Installing the Wall Bracket

## Interactive Whiteboard 77

### WARNING

To reduce the risk of bodily injury...

Always use more than one person when installing or removing the NEC Interactive Whiteboard 77.

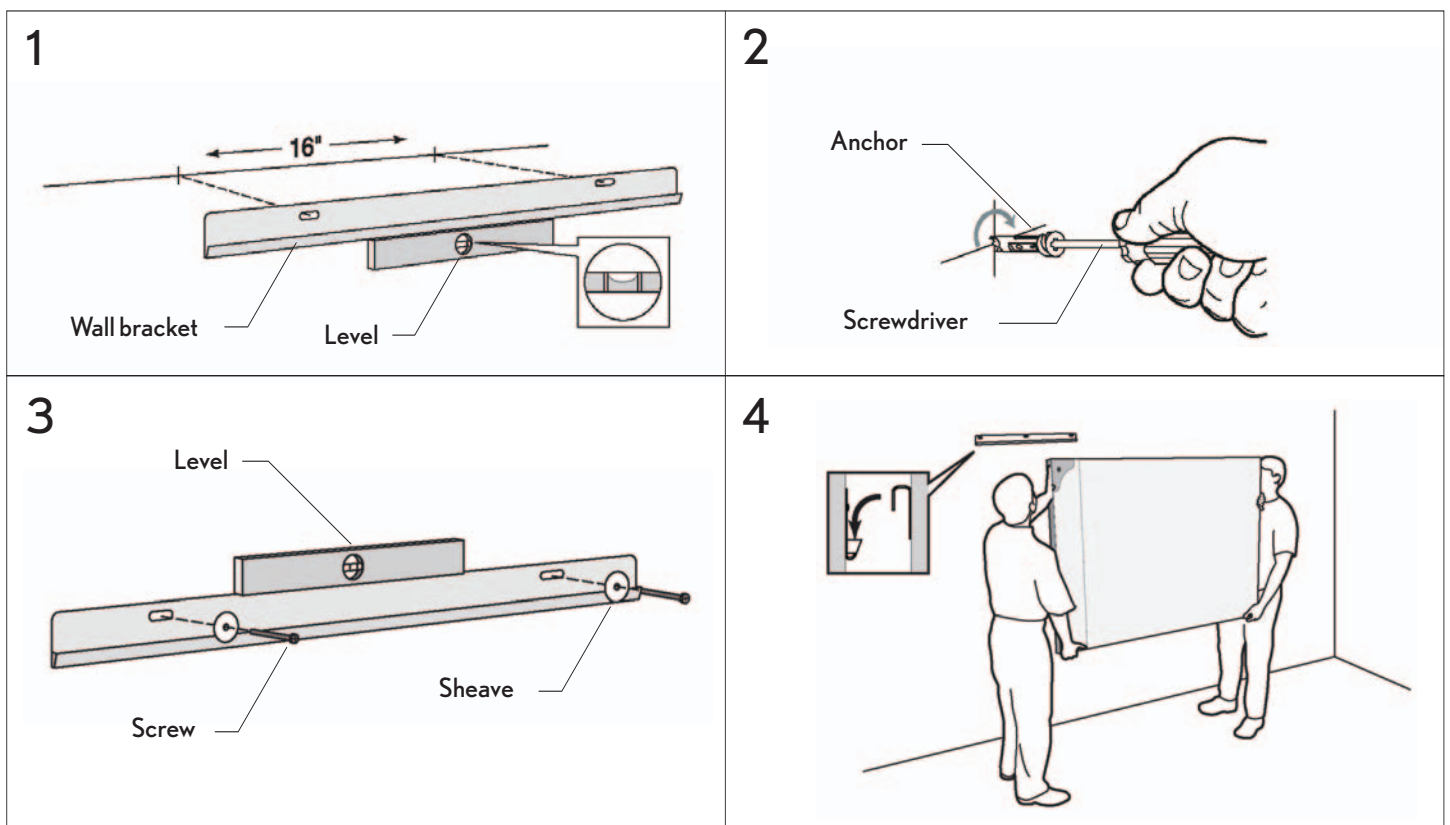
1. Determine the desired location of the unit. While holding the bracket in place (fig. 1), use a carpenter's level to ensure the proper level and then mark a minimum of three hole locations on the wall – one at each end of the mounting bracket and one in the middle. Ensure that no studs are behind the hole locations.
2. Using a Phillips screwdriver (fig. 2), screw the supplied anchors into the wall until they are flush with the wall surface using one for each identified hole location.
3. Align the wall bracket holes (fig. 3) over the wall anchors and secure with the provided washer and anchor screws. Confirm that the wall bracket is level before tightening the screws.

NOTE: For other types of building materials (e.g. Wood, concrete, concrete block) use mounting hardware that is properly rated for the weight of the unit and is intended for use with that specific building material.

Mounting hardware for wall materials other than drywall are not included with this board and must be obtained from a hardware store.

### Hanging the Interactive Board

1. If possible, position the interactive board and pen tray in front of the wall where the bracket is located. Position the unit on the floor on its backside so that the top is closest to the wall.
2. With one person holding each side of the unit, carefully lift it into position so that the bracket slot is above the wall hanger bracket and then lower into position on the wall hanger bracket. Ensure that the unit is securely in place before releasing (fig. 4).



# Installing the Wall Bracket

## Interactive Whiteboard 77

1. Align the bracket with the mounting hole (fig. 5) and mark the bracket hole location on the wall.
2. Using a Phillips screwdriver (fig. 6), screw the supplied anchor into the wall until it is flush with the wall surface for the identified hole location.
3. Secure the unit to the wall by attaching the lock bracket to the Interactive Whiteboard 77 and wall using washers and anchor screws.

