



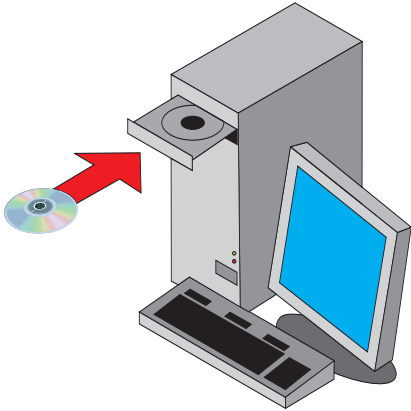
Getting Started

Quick Reference Guide

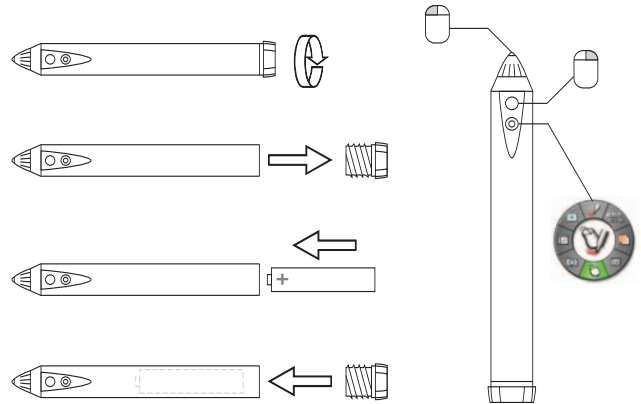
Setup & Operation

Interactive Whiteboard 77

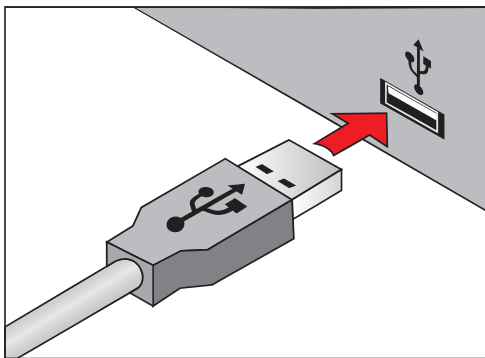
- 1 Install the software on your PC.



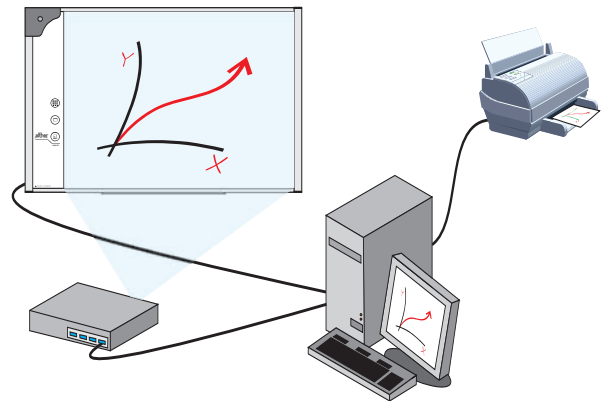
- 2 Install one "AA" battery in the presentation pen paying close attention to the polarity.



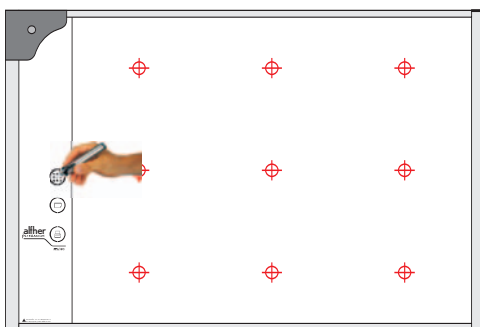
- 3 Attach the USB cable from your NEC Interactive Whiteboard to the USB port on your PC/MAC.



- 4 Attach a video projector to your PC/MAC. Attach a printer (optional) to your PC/MAC.



- 5 Tap the calibration icon on your NEC Interactive Whiteboard 77 and tap each of the highlighted targets.



- 6 Use the interactive stylus to use the buttons along the side of the whiteboard.

